

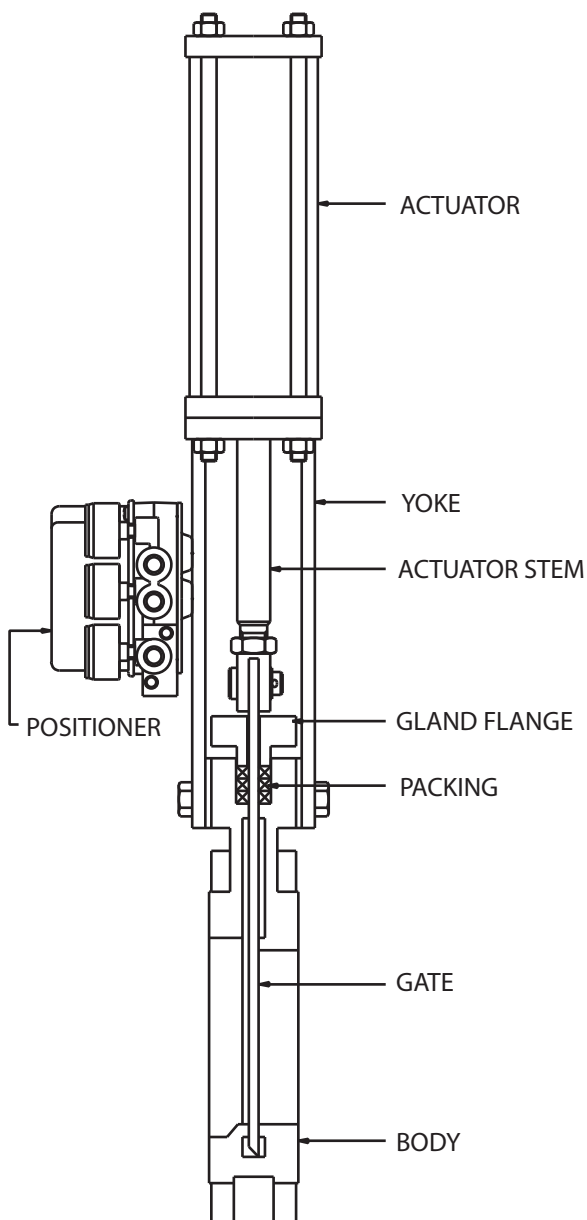
Knife Edge Gate Valve



KniFlo

Knife Edge Gate Valves

High Performance Knife Edge Gate Valve



Model	KniFlo
Type	KniFlo gate / Parallel slide/ pulp Bi-direction flow
Application	Throttling or On-Off duty for handling Slurry, Sludge, Viscose, Pulp & paper stock, Dry and solid powder, Ash, Cement , Carbon, Sticky Media, Molasses, Polymer chips.
Size	2.0" (50 mm) to 36" (1000 mm)
Pressure class	150#
End connection	Wafer, Lug design suitable to fit directly between two pipe flanges
Body Material	All Castable Alloys
Seat	Integral , metal to metal contact
Gate	SS 304,316 ground mirror finish. Hard chrome plating / Nitriding of gate is available as an option.
Shaft	Stainless steel
Gland Packing	Multi-layer square Braided PTFE with adjustable gland.
Actuators	Pneumatic - double acting cylinder
Electric	Single phase, Three phase
Accessories	Positioner (Pneumatic & Electro- Pneumatic) for throttling duty, Solenoid valve, Limit switches etc.