

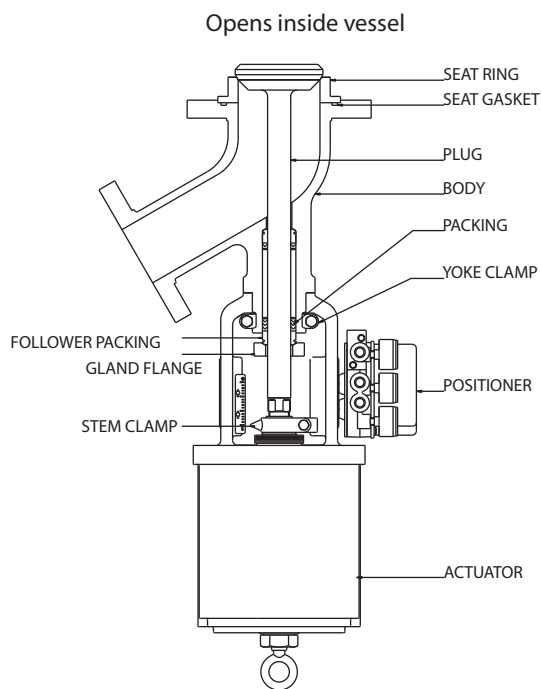
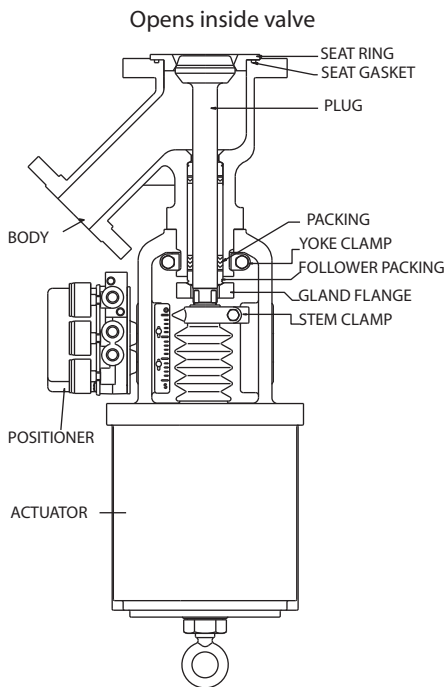
Flush Bottom Discharge Valve
Best In Performance



FlushFlo

Discharge Valves

High Performance FlushFlo Bottom Discharge Valve



| | | | |
|----------------------|--|------------|-------------|
| Model | FlushFlo | | |
| Type | Flush Bottom Discharge | | |
| Application | For Tank and Vessel draining | | |
| Inlet connection | Suitable for mounting on vessel manhole pad flange | | |
| Discharge connection | at 45° / 60° / 90° | | |
| Size | 1.0"x0.75" | 1.5"x1.0" | 2.0"x1.5" |
| | 3.0"x2.0" | 4.0"x3.0" | 6.0"x4.0" |
| | 8.0"x6.0" | 10.0"x8.0" | 12.0"x10.0" |

Option is available for same size of inlet and discharge

Pressure class Up to ANSI #600

End connection Flanged ANSI / JIS / DIN / BS

Body Material All castable Alloys , Glass Teflon lining up to 6.0" (Jacketed valve body is available).

Plug Large seat contact area, Open inside vessel or inside valve body.

Plug Guiding Heavy duty double top stem guiding

Characteristics Equal Percentage, Linear and On-Off

Seat Replaceable , Metal or Teflon soft seat

Bonnet Standard Bolted and Extension

Gland Packing PTFE, Braided PTFE and Grafoil

Actuators Pneumatic - Spring cylinder / Double acting cylinder

Electric Single phase , Three phase

Accessories Positioner (Pneumatic & Electro- Pneumatic) for throttling duty. Solenoid valve, Limit switches for on - off service & Hand wheel

Cv - Flow Coefficient Data

| Size | Cv |
|---------|-----|
| 1.5 X 1 | 32 |
| 2 X 1.5 | 50 |
| 3 X 2 | 105 |
| 4 X 3 | 195 |
| 6 X 4 | 300 |
| 8 X 6 | 650 |

* For Higher Sizes Contact Factory